

## Safety Instructions

1,2,3,4,5,6,8,9,12,13,14,15,16  
18,19,20,21,25,26,27,28,33,34



## Info Hotline



**+49 (0) 5041 998 389**

Mon.-Do. 7<sup>00</sup>-20<sup>00</sup>  
Fr. 7<sup>00</sup>-17<sup>00</sup>

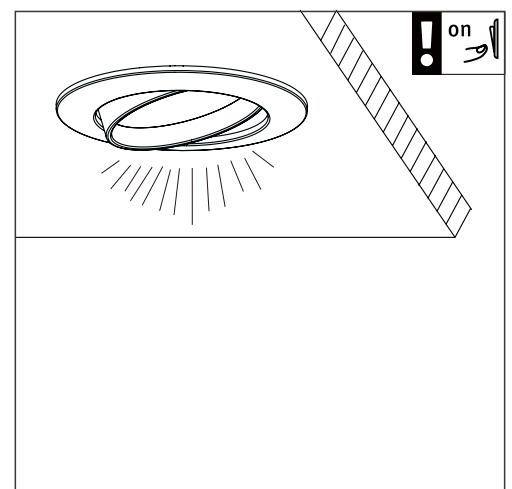
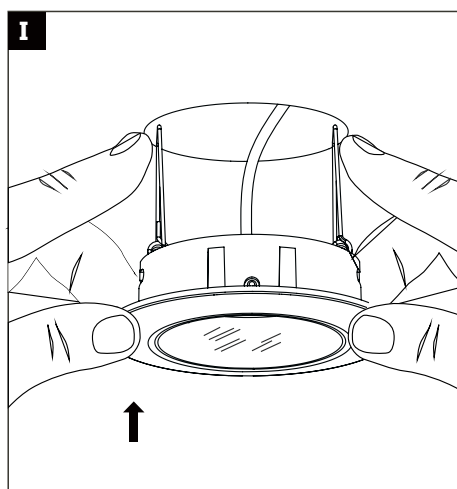
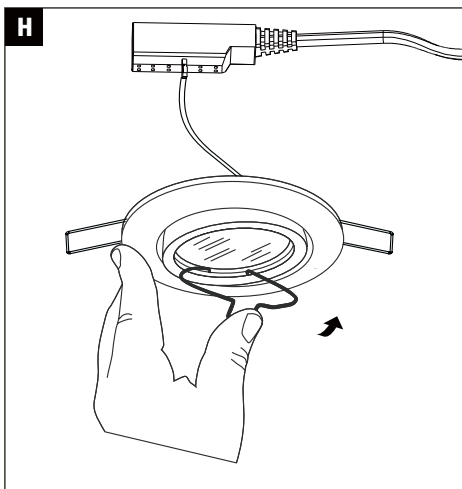
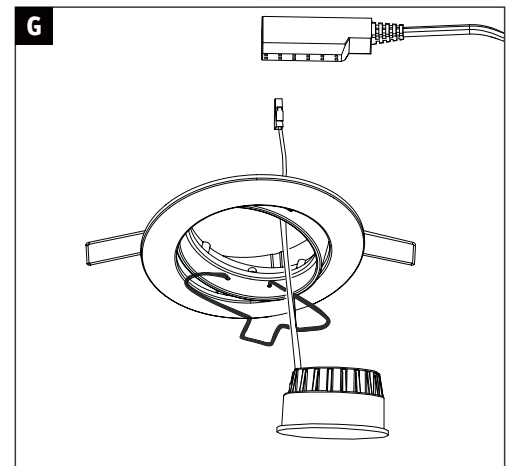
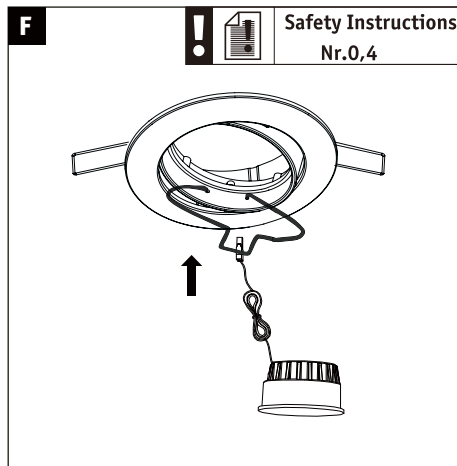
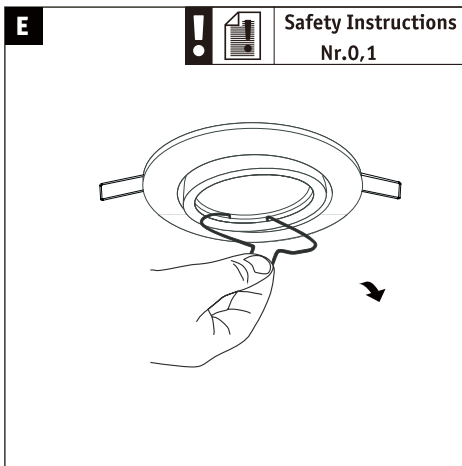
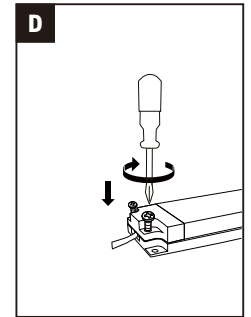
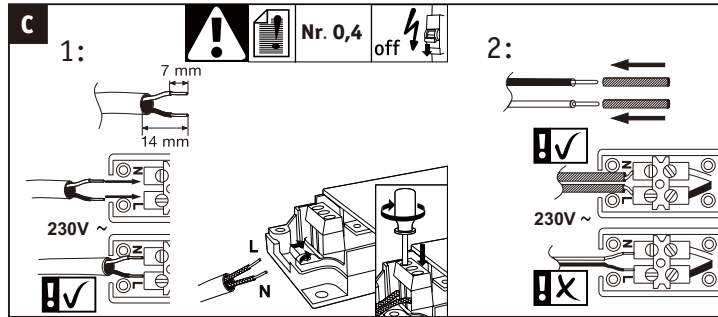
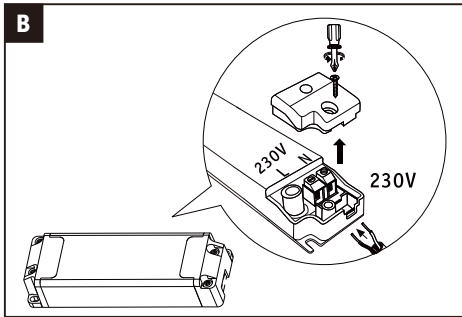
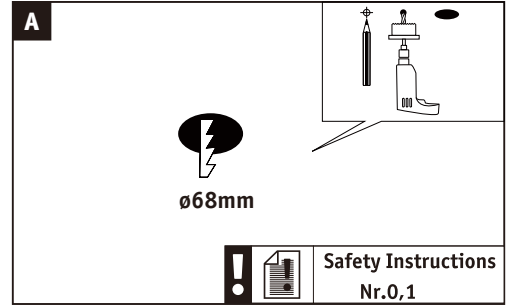
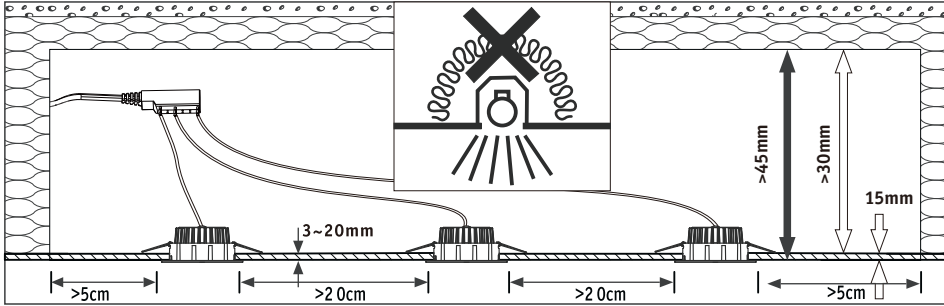
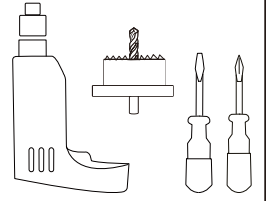
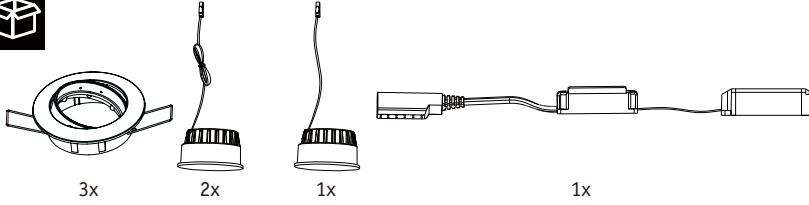
Paulmann Licht GmbH  
Quezinger Feld 2  
31832 Springe  
Germany

[www.paulmann.com](http://www.paulmann.com)


Art.-Nr.: **500.06**  
**500.07**




(+MA 326) PSU 04/16



**J**




Bluetooth




IOS APP      Android APP      Remote Control

**K**



Bluetooth

Reset



3X, ON/OFF <15

IOS APP      Android APP      Remote Control

**L**

Paulmann Home



IOS APP



Android APP

Not incl.

- iPad
- iPhone 4S Higher
- Android 4.4 Higher
- Bluetooth 4.0 Higher



Not incl. Remote Control



Paulmann  
Art.-Nr.500.01

**M**

### Instruction Of APP

